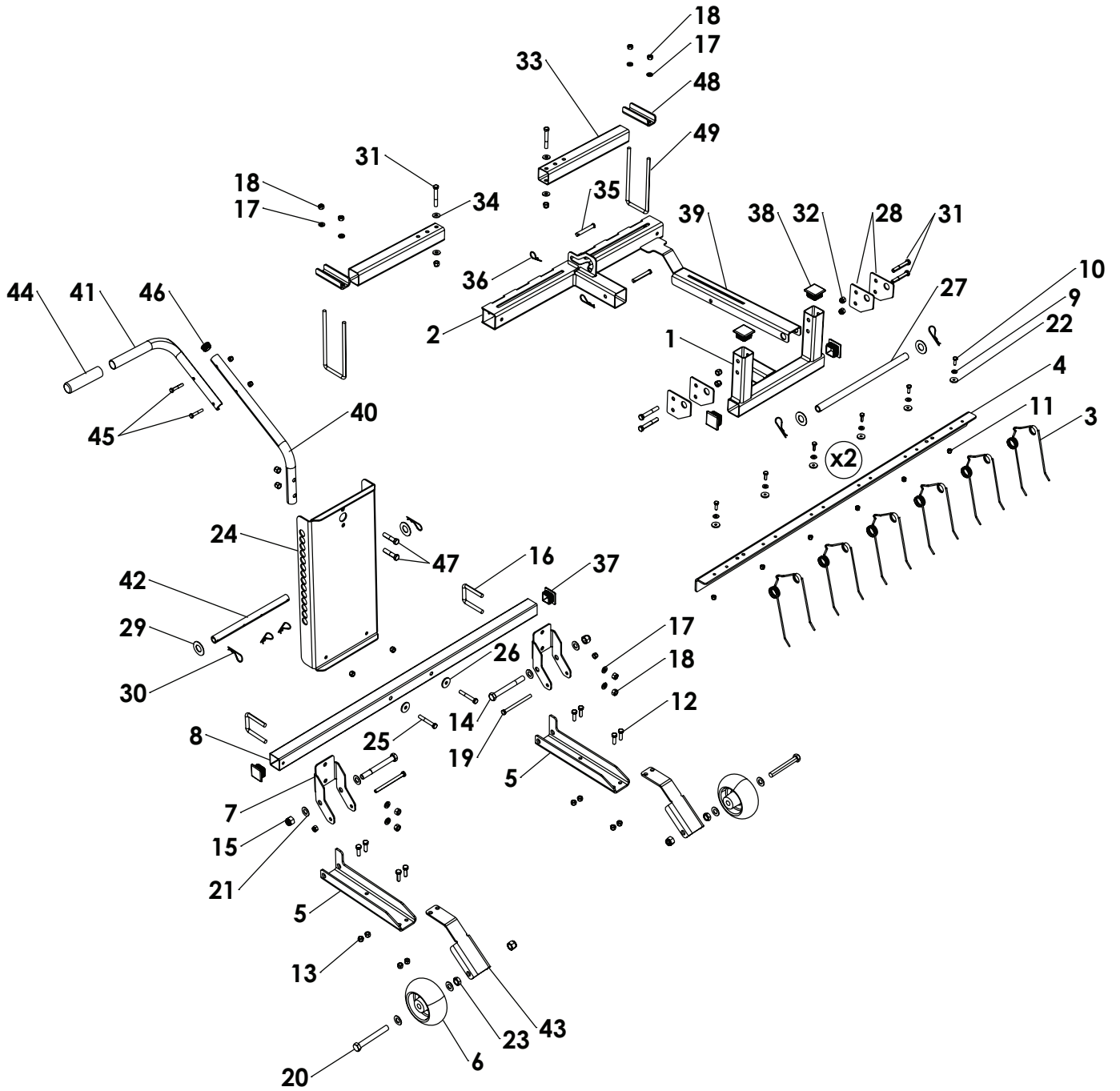


REPAIR PARTS



REF	QTY	PART NO	DESCRIPTION
1	1	69642BL3	ASS'Y, BLADE MOUNT (WLDMNT)
2	1	6-1452BL3	ASS'Y, HITCH MOUNT (WLDMNT)
3	12	46761	SPRING, THATCHER
4	2	2-702BL3	BRACKET, TINE MOUNT
5	2	2-1483BL3	BRACKET, LIFT
6	2	48098	WHEEL, ANTI SCALP
7	2	27117BL1	BRACKET, MOUNT
8	1	2-700BL3	TUBE, SQUARE 1.5" X 38"
9	12	736-0142	WASHER, .281 X .625 X .065
10	12	43012	BOLT, HEX 1/4-20 X 3/4 GR5
11	14	47189	NUT, HEX 1/4-20 NYLOCK
12	8	43063	BOLT, HEX 5/16-18 X 1 GR5
13	12	47810	NUT, HEX .5/16-18 NYLOCK
14	2	47024	BOLT, HEX 1/2-13X4-1/2 GR5
15	4	41657	NUT, HEX 1/2-13 NYLOCK
16	2	46853	BOLT, U TYPE 3/8
17	8	43003	WASHER, LOCK 3/8
18	8	43015	NUT, HEX 3/8-16
19	2	47407	BOLT, HEX 5/16-18 X 4 GR5
20	2	45100	BOLT, HEX 1/2-13 X 4 GR5
21	8	R19171616	WASHER, .531 X 1 X .0598
22	12	2-718	WASHER, RUBBER 7/8 OD X 1/4 ID
23	2	43019	NUT, HEX 1/2-13 JAM
24	1	2-1484BL3	BULKHEAD
25	2	43224	BOLT, HEX 5/16-18 X 2-1/4 GR5
26	2	736-0231	WASHER, .344 X 1.125 X .12
27	1	45817BL3	SHAFT, PIVOT
28	4	45816BL3	BRACKET, PIVOT
29	4	43009	WASHER, .785 X 1.57 X .057
30	7	43343	PIN, HAIR COTTER 3/32 X 2-5/16
31	6	43432	BOLT, HEX 3/8-16 X 2-1/2 GR5
32	8	HA21362	NUT, HEX 3/8-16 NYLOCK
33	2	45814BL3	TUBE, SLIDER
34	4	43081	WASHER, 3/8 X 7/8 X .083
35	2	43037	PIN, CLEVIS 3/8 X 2-3/4
36	1	43055	PIN, HAIR 3/32 X 1.8
37	2	2-698	PLUG, 1-1/2" SQ
38	4	2-699	PLUG, SQUARE 1-3/4"
39	1	2-1476BL3	BRACKET, LEG RISER
40	1	2-1478BL3	TUBE, HANDLE
41	1	44589BL3	HANDLE, TUBE (SHORT)
42	1	2-1477BL3	TUBE, LEG RISER PIVOT
43	2	2-1475BL3	BRACKET, WHEEL MOUNT
44	1	44482	GRIP, HANDLE 1" ID
45	2	43648	BOLT, HEX 1/4-20 X 1-1/2 G5
46	1	49449	PLUG, 1"OD TUBE
47	2	41576	BOLT, HEX 3/8-16 X 1-3/4 GR5
48	4	45908BL3	BRACKET, MOUNTING
49	2	4-62	U-BOLT, 8.0 X 3.5 X 3/8
-	1	3-546	MANUAL, OWNER'S